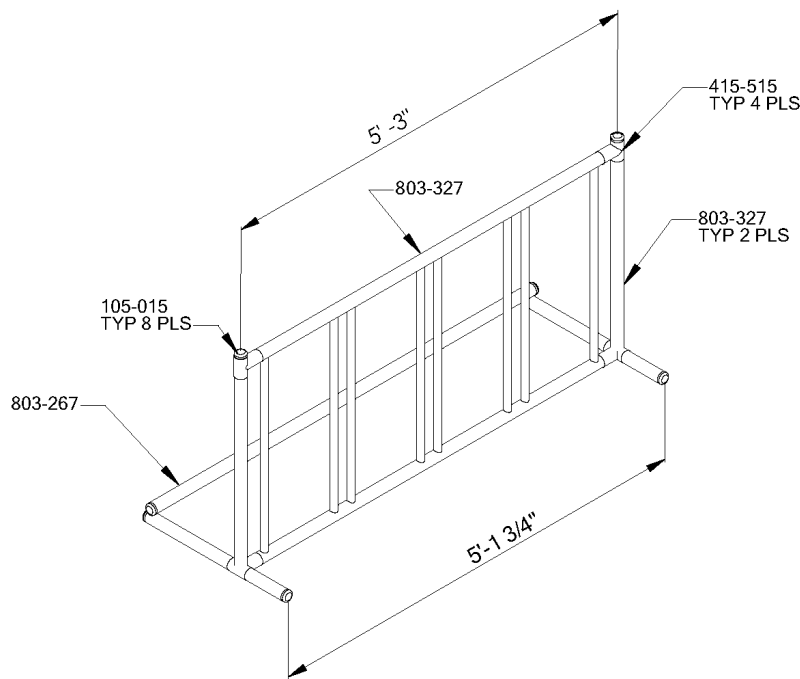


802-175 5' Single Entry Bike Rack (Port)

IMPORTANT

PLEASE READ THESE INSTRUCTIONS BEFORE COMMENCING ASSEMBLY. All equipment must be installed in accordance with these instructions. Check your shipment against Bill of Lading and Parts list. Any missing or broken parts must be reported to your distributor within 10 days of receipt of your order. When properly installed and maintained, equipment will give many years of Safe, Trouble-Free use. Periodically check for loose or broken parts. Loose bolts must be tightened and broken parts must be replaced as they can possibly create dangerous situations leading to unnecessary accidents. Resilient Surfacing should be used under all playground equipment. Appropriate publications, available at no charge, from the Consumer Product Safety Commission, include "A Handbook for Public Playground Safety". You can receive your free copy by calling 1-301-504-7908.



PACKING LIST

1	CTN		Hardware Bag
1	BDL	1 803-266	Spacer Bar
1	BDL	2 803-267	End Support
1	WF	1 803-327	Ladder

HARDWARE BAG

2	116-514	5/16" x 3 1/2" Hex Bolt
8	116-510	5/16" x 2 1/2" Hex Bolt
10	326-501	5/16" Lock Washer
10	226-501	5/16" Lock Nut
4 pr	415-515	1 5/8" T-Clamp
8	105-015	1 5/8" Pipe Plug

1 CTN	1 BDL	1 PIPE	1 WF	4 TOTAL PCS	WT 50#	CLASS 70
-------	-------	--------	------	-------------	--------	----------

802-175 5' Single Entry Bike Rack (Port)

Page 2
Rev 05/28/08

GENERAL ASSEMBLY INSTRUCTIONS:

Check all the parts and hardware with the packing list to be sure you have received everything needed to assemble this product. CONTACT YOUR LOCAL DISTRIBUTOR WITH NOTIFICATION OF ANY MISSING OR DAMAGED PARTS. Contact must be made within ten days of receipt of your order.

Only hand-tighten nuts & bolts on initial assembly. Final tightening should be done **EVENLY** after final assembly when unit has been plumbed & leveled.

After assembly is complete, **ANY ENDS OF BOLTS PROTRUDING BEYOND NUTS SHOULD BE CUT OFF AND/OR PEENED OVER TO REMOVED ANY SHARP PROJECTIONS.** Go over entire unit to file smooth any sharp edges or projections that may have been caused by rough handling in shipping or installation. T-Clamps are designed for both one and two bolt connections. In many situations only one bolt is required. See specific assembly instructions.

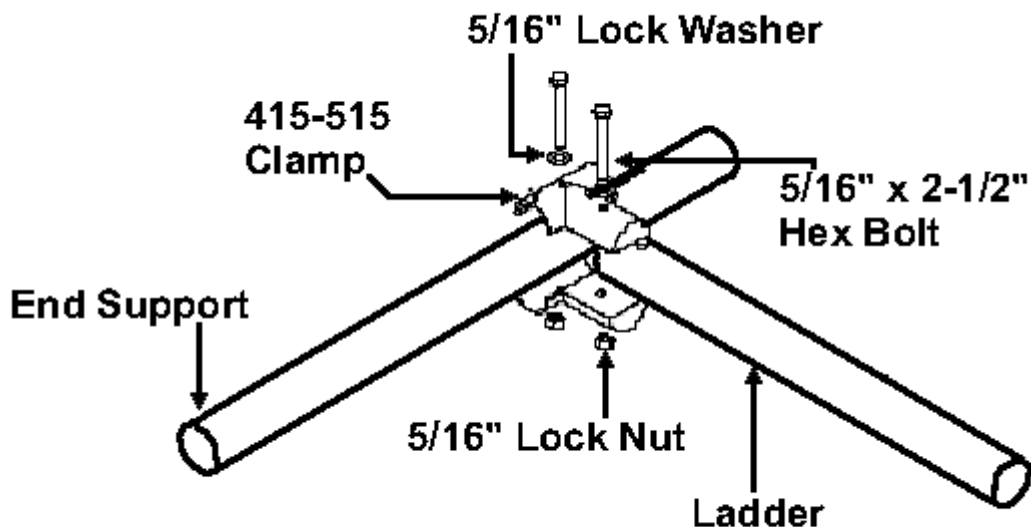
On products with platforms install 1-2 degrees off level to facilitate water drainage.

GENERAL MAINTENANCE INSTRUCTIONS:

Check **MONTHLY** for loose bolts, damaged or broken parts. Tighten and/or replace immediately.

SPECIFIC ASSEMBLY INSTRUCTIONS:

T-Clamp Detail:



802-175 5' Single Entry Bike Rack (Port)

Page 3
Rev 05/28/08

End Support and Spacer Detail:

